

Emsisoft Internet Security

No Bloat, No Compromises - Just Security.

FEATURE HIGHLIGHTS

Antivirus & Anti-Malware

Scans faster with two detection engines than most products do with just one.

Three-layered real-time protection

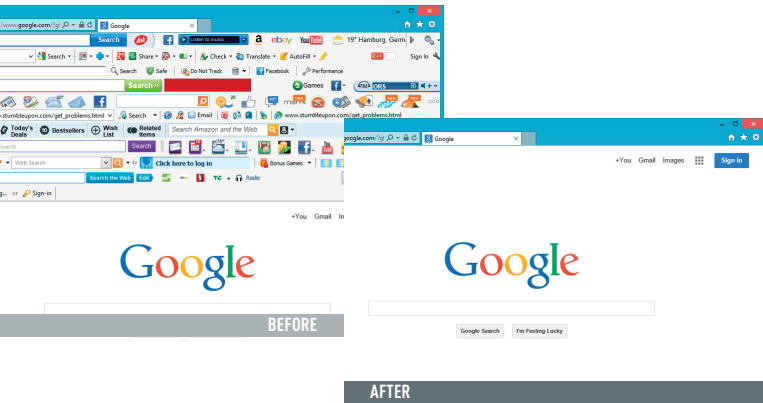
Surf Protection, Dual Engine File Guard, Behavior Blocker ensure optimum protection.

Easy to use interface

A simple yet efficient security suite that completely protects your digital life.

Removal of Potentially Unwanted Programs

PUPs are not dangerous per se, but come hand in hand with annoying ads or toolbars and slow down your computer. You can tell Emsisoft Internet Security to remove those for you.

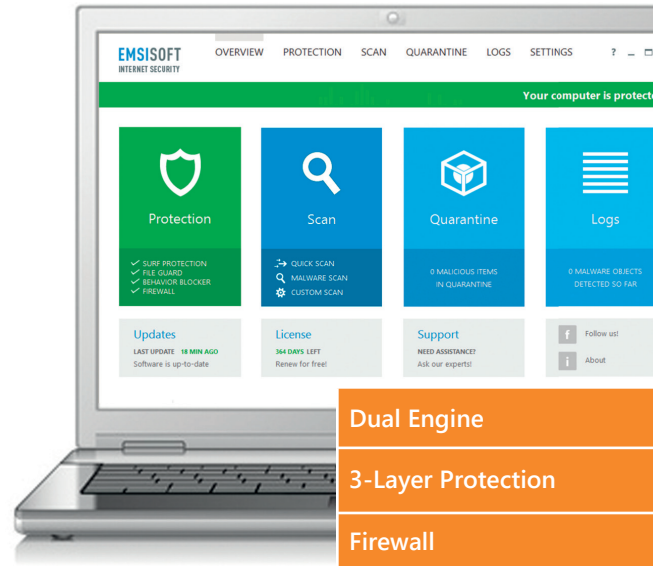


Online Banking Protection

Keeps fraudsters away from your money by hardening your browser software.

Intelligent Firewall

Closes off and hides your system when using public networks (e.g. public wifi hotspots).



Dual Engine
3-Layer Protection
Firewall

Surf protection

Blocking access to known fraudulent and dangerous websites to avoid phishing and accidental malware downloads.

Real-time File Guard

Constantly scanning all downloaded and started files, using two scanners and more than 10 million detection patterns.

Behavior Blocker & Live-Cloud Verification

Preventing new, sophisticated malware attacks that others can't protect you from – optimized against zero-day attacks.

Award-Winning Performance

Emsisoft constantly ranks exceptionally well in these tests – and in many others.



Latest awards: www.anti-malware-reviews.com

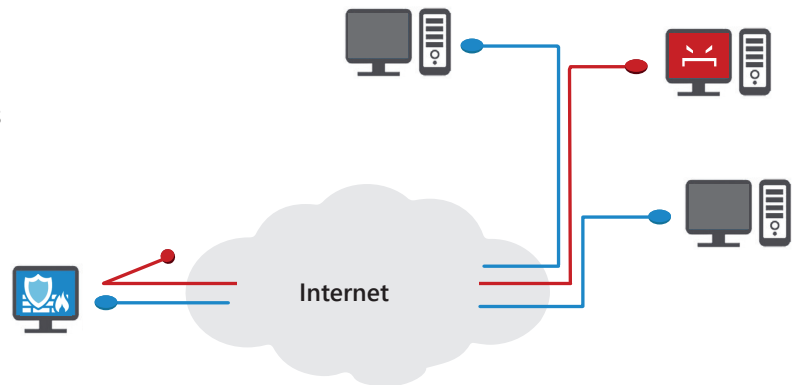


WHY DO I NEED A FIREWALL?

If you are using a computer that frequently connects to the Internet via third party networks, a software firewall is worth the investment.

Emsisoft Internet Security adds a smart firewall component to Emsisoft's proven dual scanner and real-time protection technology, which means it can protect you from malware and keep you invisible to network intruders.

It hides all the open ports on your computer effectively reducing the surface area and success rate of network attacks.



This makes Emsisoft Internet Security a perfect fit for home users and small businesses, who frequently travel beyond their home network and who want something simple-yet-intelligent that will keep their information secure, no matter where they go.

WHY EMSISOFT?

Malware Removal Guarantee

Receive personal assistance in emergency situations instead of being forced to fill out an anonymous support form that might not get a reply.

Emsisoft is a premium software vendor, for premium customers, and offers a malware removal guarantee.

Customer Integrity

Treating customers in an honest and respectful manner is the foundation of sustainable business.

Emsisoft doesn't share your data and doesn't betray customers for a quick profit made through nasty toolbar bundles or governmental interests. Emsisoft simply offers efficient Anti-Malware, for your computer and you.

Proactive Prevention

Emsisoft Anti-Malware is a proactive weapon, made to prevent infection from all Internet threats. It protects you from worst case scenarios, like data- or money-loss and identity theft.



EMSISOFT'S VISION: A MALWARE-FREE WORLD

It's a place where home and business computer security is engineered to perfection.

It's a software that effectively detects new threats before your computer is compromised.

It's an innovative Anti-Malware that is efficient, powerful, unobtrusive and minimalistic.

It does its job perfectly – keeping your digital world safe – and leaves the computer's power where it belongs: **with you.**